
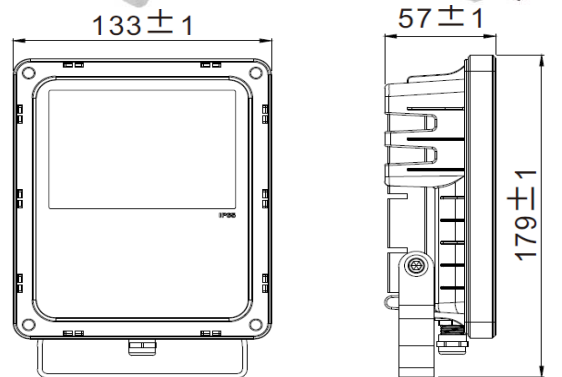
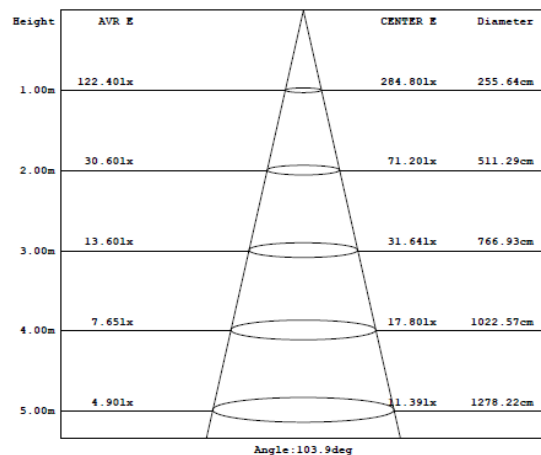


**MANUAL OF LED FLOOD LIGHT**

Model No.	<b>TA-FL010</b>		
Order No.	TA-FL010-WW	TA-FL010-PW	TA-FL010-CW
Dimension	179x133x57MM		
System Power Consumption	10-12W		
Input Voltage	90~264VAC 50HZ~60HZ		
Light Source	9 pcs High Power LED SMD3535		
Total Harmonic Distortion	≤9%		
Power Factor	>0.95		
Power Efficiency	>0.82		
Led Luminous Efficiency	75-80lm/W		
Beam Angle	100°		
Average Luminous Flux	750-800lm		
CCT	2700-3700K	4000K-5300K	5500K-6700K
CRI	>70		
Working Temperature	-30°C ~ +55°C @35~90%RH		
Storage Temperature	-40°C ~ +85°C @5~95%RH		
IP Grade	65		
Color	Red/ Green/ Blue/ WW/ PW/CW		
Material of the lamp shell	Housing:	Aluminium with copper cooling fins	
	Cover:	ASA plastic with Strengthen glass	
Net Weight	0.7kg/pc		
Package Size & Weight	595x370x450mm 28kg/carton 40pcs each carton		
Certificate			



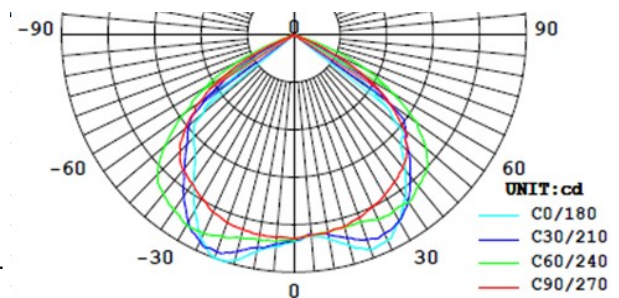
**Illuminance Diagram**



**Main Features**

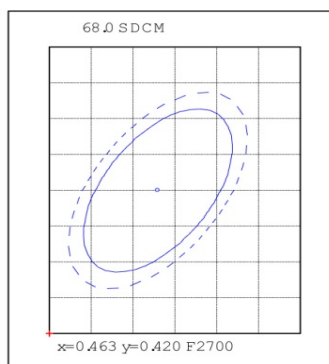
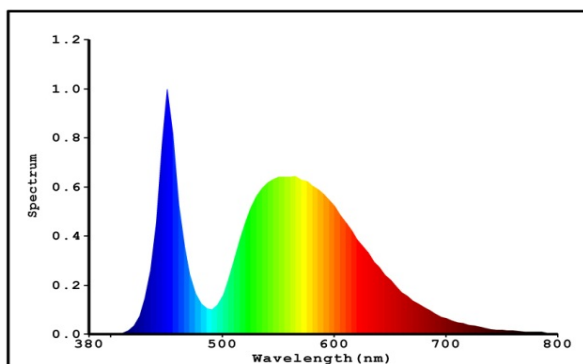
- \*50% less in power consumption than traditional flood light
- \*Instant on and adjustable projecting direction
- \*Eco-friendly, no UV,IR, flicker and mercury free
- \*High power efficiency with good heat dissipation
- \*Maintenance free, extra long lifespan of over 50,000 hours
- \*Ideal for outdoor application, commercial buildings, ad boards, etc.

**Light Distribution Curve**



**Spectrophotometer Test Report**

**Light Source Test Report**



**Color Parameters:**

Chromaticity Coordinate:  $x=0.3441$   $y=0.3668/u'=0.2050$   $v'=0.4918$   
 Tc=6082K Dominant WL:Ld=565.8nm Purity=13.4% Centroid WL:555.0nm  
 Ratio:R=14.5% G=82.7% B=2.8% Peak WL:Lp=450.0nm HWL:20.2nm  
 Render Index:Ra=68.4  
 R1 =64 R2 =74 R3 =80 R4 =68 R5 =65 R6 =63 R7 =81  
 R8 =53 R9 =0 R10=36 R11=62 R12=32 R13=66 R14=88 R15=59

**Photo Parameters:**

Flux: 788.33 lm Fe: 2.2775 W Efficacy:79.17 lm/W

**Electrical Parameters:**

Luminaire: U=218.5V I=0.07657A P=9.957W PF=0.5951

**Instrument Status:**

Scan Range:380.0nm-800.0nm Interval:5.0nm[0] Ip=36783(G=6,D=64)  
 REF=22739(R=4) %=-0.296% PMT: 31.7 centigrade [32.6]

Product Type:FK-FL10-100N-179  
 Number:N0001  
 Temperature:25.3 deg  
 Test Operator:DAMIN  
 Software:V2.00.100

Manufacturer:  
 Test Department:EVERFINE  
 Humidity:60.0%  
 Test Date:DAMIN  
 Instrument:PMS-80\_V1 (SN:1001013)